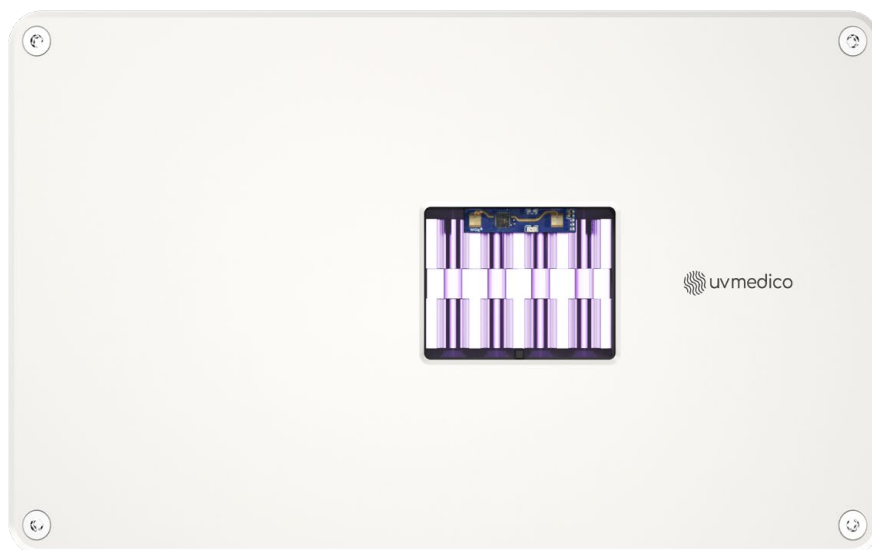


# UV222 Ambulance

## 222 nm | Integrated solution for vehicles and elevators

### General product specifications

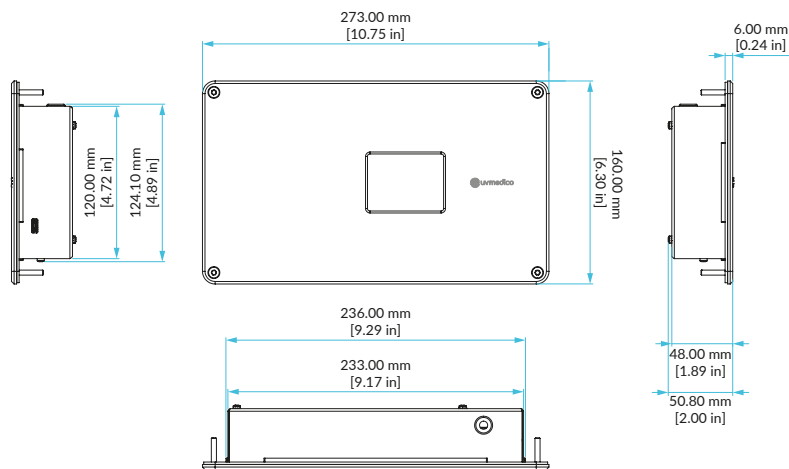
Light source	Krypton Chloride Excimer Lamp
Wavelength	222 nm
60° output	115 mW (Typical)
100° output	70 mW (Typical)
Input voltage	9-28 V DC
Mode (programmable)	Continuous / duty cycle / motion activated
Max power consumption	20 W
Weight	1 kg (2.2 lbs)
Dimensions	273 x 160 x 48 mm (10.75 x 6.3 x 1.89 in)
Power lead (PVC)	3 x 0.75 mm <sup>2</sup> / 3 m (18 AWG / 9.8 ft)
Operating temperature	0° to + 50° C (32° to 122° F)
Ambient humidity	5-90% RH Non condensing
Materials	Aluminum, quartz glass <sup>1</sup>



1. Chemically-inert, non-porous, transparent quartz glass with high-temperature resistance.

# UV222 Ambulance

## Gallery:



## In compliance with:

### International Standard

ISO 15858	UV-C Devices – Safety information – permissible human exposure.
IEC 62471	Photobiological safety of lamps and lamp systems.
IEC PAS 63313 ED1	Position statement on germicidal UV-C irradiation - UV-C safety guidelines (see Global Lighting Association).

### International Guidelines

ACGIH® (American Conference of Governmental Industrial Hygienists)	2021 and 2022 TLV (Threshold Limit Values) & BEI (Biological Exposure Indices) for chemical substances and physical agents.
--	---