

UV222 Downlight

Ceiling spot | 222 nm | 60° or 100° beam angle | Programmable

General product specifications

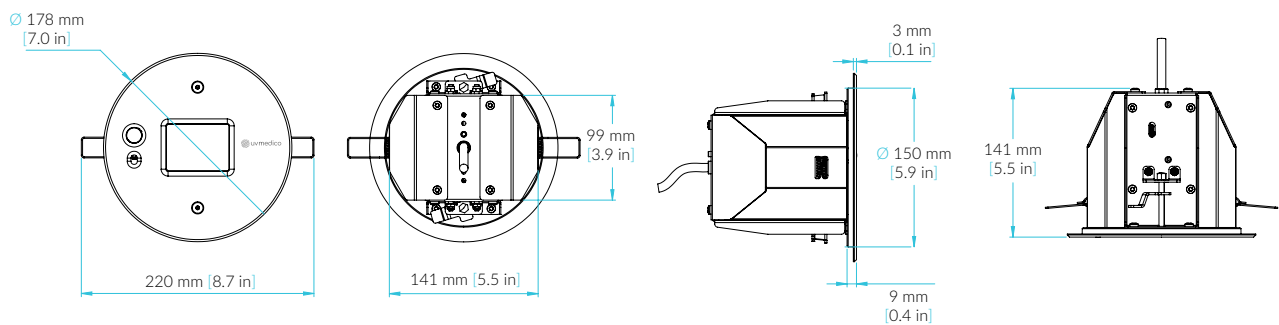
Light source	Krypton Chloride Excimer Lamp
Wavelength	222 nm
60° output	115 mW (Typical)
100° output	70 mW (Typical)
Input voltage	100–240V AC 50/60 Hz
Mode (programmable)	Continuous / duty cycle / motion sensor
Max power consumption	17 W
Weight	1.6 kg (3.5 lbs)
Dimensions	Ø 178 mm x 129 mm (Ø 7 in x 5 in)
Power lead (PVC)	3 x 0.75 mm ² / 5 m (18 AWG / 16.4 ft)
Operating temperature	0° to + 50° C (32° to 122° F)
Ambient humidity	5–90% RH Non condensing
Materials	Aluminium, quartz glass ¹



1. Chemically-inert, non-porous, transparent quartz glass with high-temperature resistance.

UV222 Downlight

Gallery:



In compliance with:

International Standard

ISO 15858	UV-C Devices – Safety information – permissible human exposure.
IEC 62471	Photobiological safety of lamps and lamp systems.
IEC PAS 63313 ED1	Position statement on germicidal UV-C irradiation - UV-C safety guidelines (see Global Lighting Association).

International Guidelines

ACGIH® (American Conference of Governmental Industrial Hygienists)	2021 and 2022 TLV (Threshold Limit Values) & BEI (Biological Exposure Indices) for chemical substances and physical agents.
--	---