

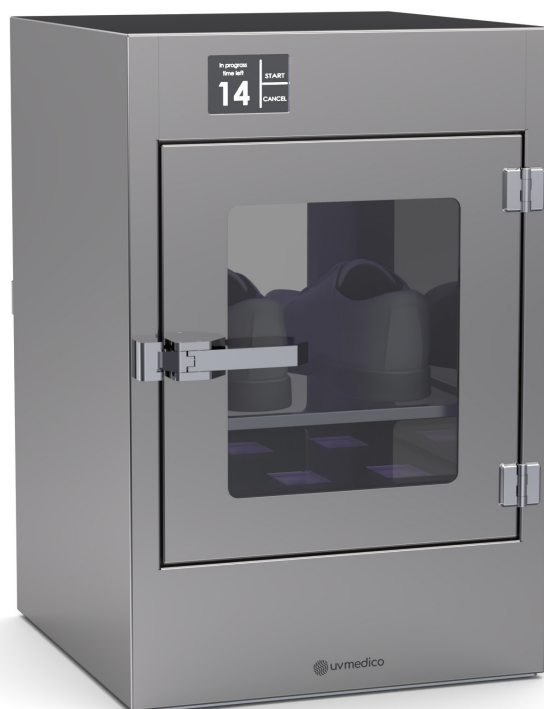
# UV222 Pass-Through Box

222 nm | 316L stainless steel | Programmable

## General product specifications

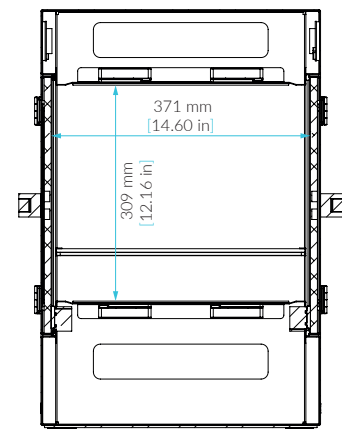
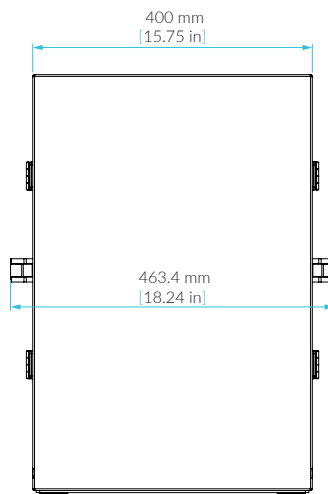
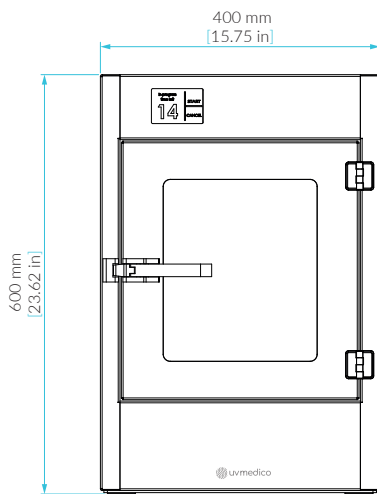
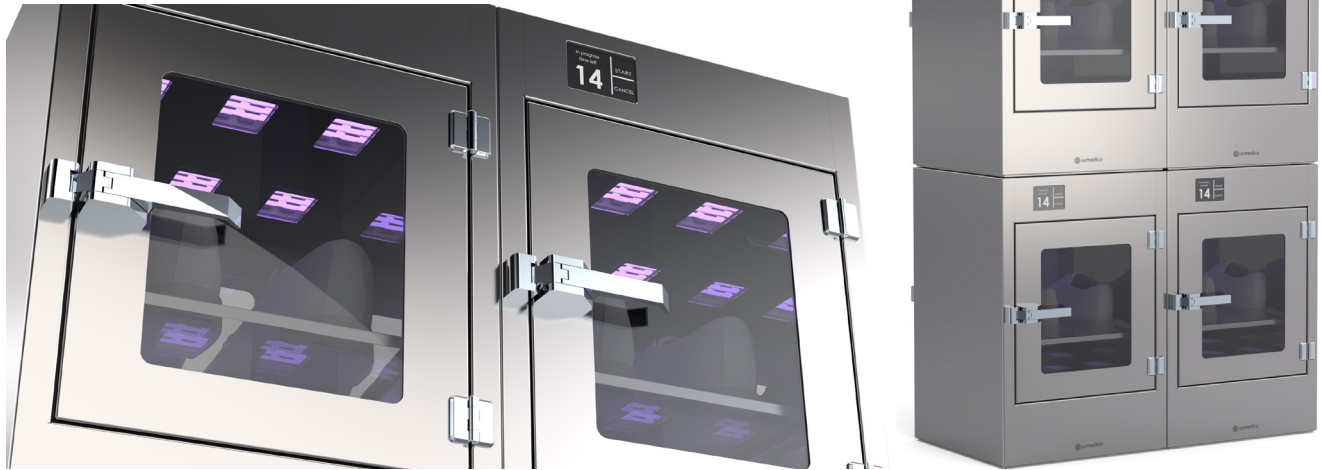
Light source	Krypton Chloride Excimer Lamp
Wavelength	222 nmv
Average irradiance (at centre)	300 $\mu\text{W}/\text{cm}^2$
Dose in 60 sec. (at centre)	18 $\text{mJ}/\text{cm}^2$
Input voltage	85-305 V AC 50/60 Hz
Mode	60 sec. duty cycle or until stopped by user
Max power consumption	235 W
Weight	34 kg (75 lbs)
Inside dimensions	309 x 304 x 397 mm (1.01 x 1.00 x 1.30 ft)
Outside dimensions	600 x 400 x 400 mm (1.99 x 1.31 x 1.31 ft)
Operating temperature	0° to + 50° C (32° to 122° F)
Materials	316L stainless steel, soda lime glass doors

\* Preliminary values for a standard UV222 Pass-Through Box with 12 Far UV-C light sources.  
The product can be customized upon request.



# UV222 Pass-Through Box

## Gallery:



## In compliance with:

### International Standard

ISO 15858	UV-C Devices – Safety information – permissible human exposure.
IEC 62471	Photobiological safety of lamps and lamp systems.
IEC PAS 63313 ED1	Position statement on germicidal UV-C irradiation - UV-C safety guidelines (see Global Lighting Association).

### International Guidelines

ACGIH® (American Conference of Governmental Industrial Hygienists)	2021 and 2022 TLV (Threshold Limit Values) & BEI (Biological Exposure Indices) for chemical substances and physical agents.
--------------------------------------------------------------------	-----------------------------------------------------------------------------------------------------------------------------