

UV222 Vehicle

222 nm | 60° or 100° beam angle | Programmable

General product specifications

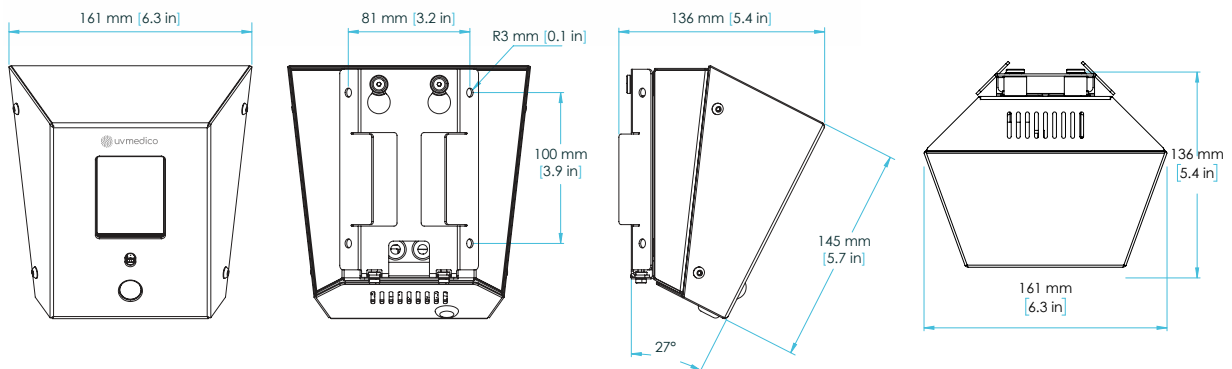
Light source	Krypton Chloride Excimer Lamp
Wavelength	222 nm
60° output	115 mW (Typical)
100° output	70 mW (Typical)
Input voltage	9-28 V DC
Mode	Continuous / duty cycle / motion sensor
Max power consumption	17 W
Weight	1.3 kg (2.86 lbs)
Dimensions	161 x 170 x 136 mm (6.30 x 6.70 x 5.4 in)
Power lead (PVC)	3 x 0.75 mm ² / 3 m (18AWG / 9.8 ft)
Operating temperature	0° to + 50° C (32° to 122° F)
Ambient humidity	5-90% RH Non condensing
Materials	304 stainless steel (brushed), quartz glass ¹



1. Chemically-inert, non-porous, transparent quartz glass with high-temperature resistance.

UV222 Vehicle

Gallery:



In compliance with:

International Standard

ISO 15858	UV-C Devices – Safety information – permissible human exposure.
IEC 62471	Photobiological safety of lamps and lamp systems.
IEC PAS 63313 ED1	Position statement on germicidal UV-C irradiation - UV-C safety guidelines (see Global Lighting Association).

International Guidelines

ACGIH® (American Conference of Governmental Industrial Hygienists)	2021 and 2022 TLV (Threshold Limit Values) & BEI (Biological Exposure Indices) for chemical substances and physical agents.
--	---